

A

B

C

D

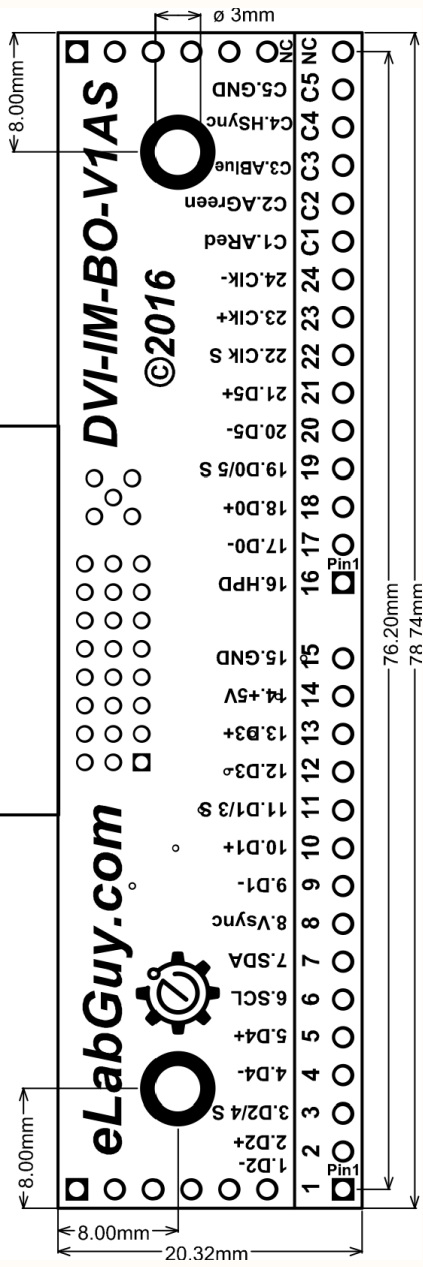
A

B

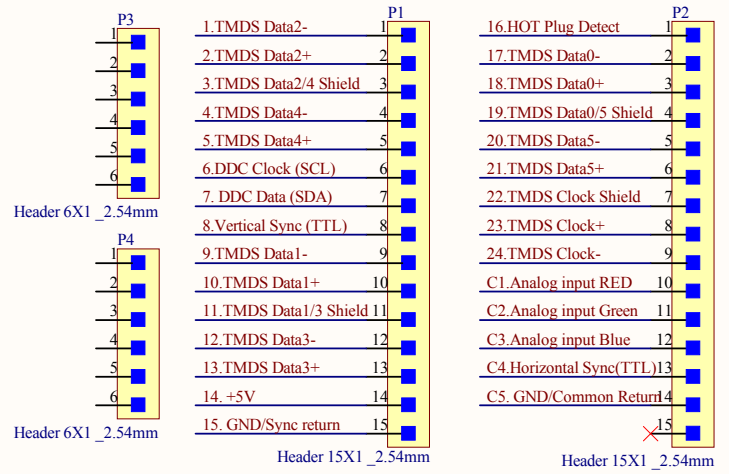
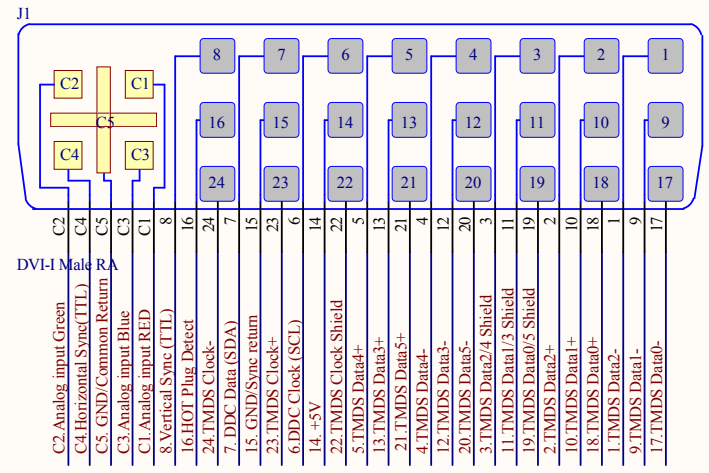
C

D

**DVI-I Male**



\* PCB 1.60mm THICKNESS



Title <b>DVI-I Male Breakout (Side)</b>		
Size A4	Number <b>DVI-IM-BO-V1AS</b>	Revision <b>1AS</b>
Date: 11/5/2016	Sheet of	
File: C:\Users\... \DVI-IM-BO-V1AS Drawing.SchDoc	Download By: <a href="http://www.eLabGuy.com">www.eLabGuy.com</a>	